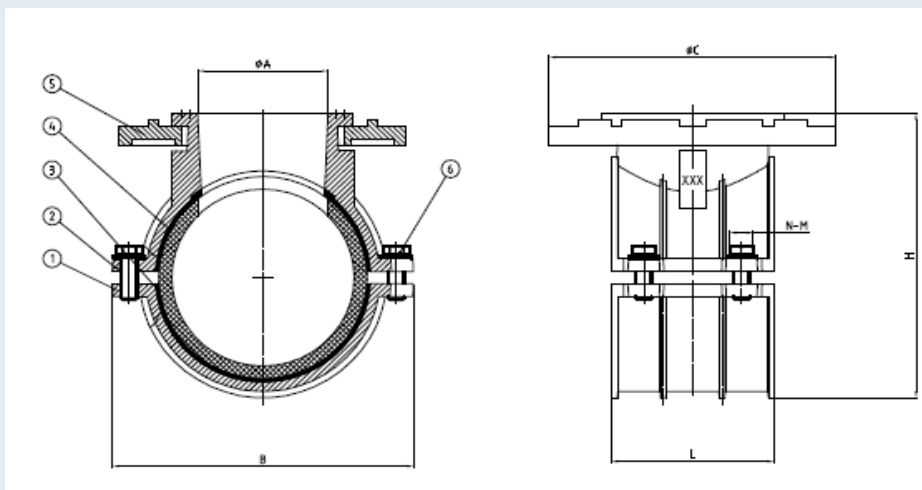


ADAPTADORES **COLLARIN FUNDICION DUCTIL SALIDA BRIDA**



MATERIALES: MAXIMA PRESION SERVICIO **PN-16**

1	PARTE SUPERIOR/PIPE CLAMP	FUNDICION DUCTIL GGG50/DUCTILE IRON
2	PARE INFERIOR/ PIPE CLAMP	FUNDICION DUCTIL GGG50/ DUCTILE IRON
3	TORNILLOS Y ARANDELA 4UD)/BOLT	ACERO INOX.A-2 M-8X40/STAINLESS STEEL
4	RECUBRIMIENTO INTERIOR/RUBBER TILE	COMPLETO EN E.P.D.M./ E.P.D.M
5	SALIDA BRIDA/FLANGE	BRIDA NORMALIZADA SECCIONADA PN-10/16 / DUCTILE IRON
6	TORNILLO ROSCADO A CUERPO DE COLLARIN	





Medida	XXX	A	B	C	L	H	N-M	PESO KG.
125/50-65	125	65	206	185	125	187	4-M12X35	4.90
125/80	125	100	206	220	125	187	4-M12X35	6.30
160/50-65	160	65	231	185	125	225	4-M12X35	7.40
160/80-100	160	100	231	220	125	225	4-M12X35	8.80
200/50-65	200	65	280	185	125	265	4-M12X35	8.80
200/80-100	200	100	280	220	125	265	4-M12X35	10.00
200/125-150	200	150	280	280	175	265	6-M12X35	13.50
250/50-65	250	65	345	185	125	322	4-M12X40	11.50
250/80-100	250	100	345	220	125	322	4-M12X40	12.80
250/125-150	250	150	345	280	175	322	6-M12X40	17.50
315/50-65	315	65	430	185	175	400	6-M12X45	22.50
315/80-100	315	100	430	220	175	400	6-M12X45	23.50
315/125-150	315	150	430	280	250	400	8-M12X45	31.50
355/80-100	355	95	465	220	175	441	6-M12X50	21.00
355/125-150	355	150	465	280	250	441	8-M12X50	26.00
355/200 PN16	355	200	465	340	250	441	8-M12X50	27.00
400/80-100	400	95	515	220	175	486	6-M12X50	26.50
400/125-150	400	150	515	280	250	486	8-M12X50	36.20
400/200 PN-16	400	200	515	340	250	486	8-M12X50	40.00
500/80-100	500	95	615	220	175	586	6-M12X50	39.00
500/125-150	500	150	615	280	250	586	8-M12X50	40.00
500/200 PN16	500	200	615	340	250	586	8-M12X50	42.00
630/80-100	630	95	755	220	175	725	6-M12X55	34.00
630/125-150	630	150	755	280	250	725	8-M12X55	48.00
630/200 PN-16	630	200	755	340	250	725	8-M12X55	52.00

GRUPO ALMAGROMUR, S.L Pol.Ind.La Polvorista C/cieza S/N 30500-MOLINA DE SEGURA (MURCIA) ☎ 968-616060 Fax: 968-612953

✉ comercial@grupoalmagromur.es

